

## Basket Filters

*Basket Filters* are high-rate mechanical filters designed to extract organic debris and particulates from either rooftop or surface rainwater. They are installed underground and include a telescopic accessway that is adjusted to match the pipe inverts. Rainwater enters through either of the top ports, flows down through a large screened filter basket, and flows out through the bottom port. The second top port serves as an overflow in the event the filter basket become full the water flow rate exceeds the capacity of the filter.

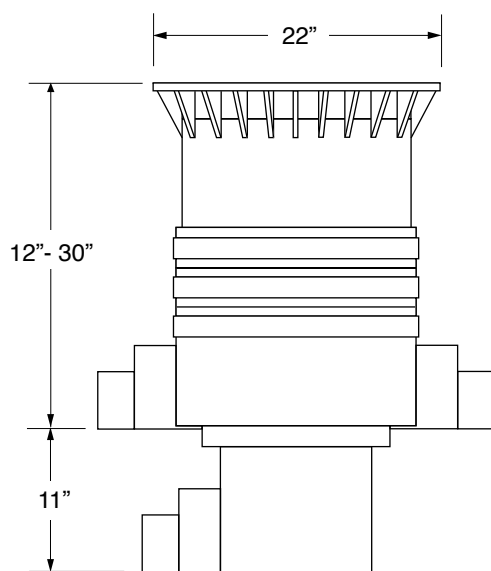
Two models are available: *Basket-150* for roofs up to 5,000 square feet and *Basket-200* for roofs up to 12,000 square feet. The maximum roof area per filter should be reduced 50% for seasonally dry climates intense rainfall.

Basket filters are simple to install and can provide virtually 100% recovery efficiency. The filter basket is easily accessible, and except for periods of heavy leaf fall, rarely needs cleaning. Even when the bottom of the basket is covered with debris, the large sidewall surface area allow substantial flow.

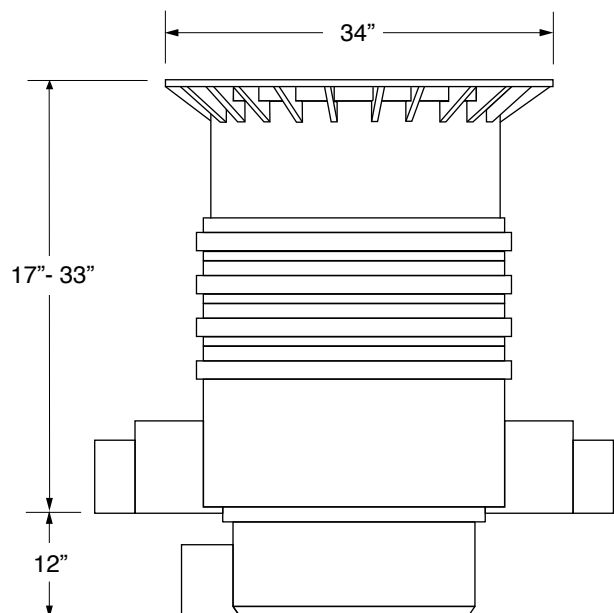


### PHYSICAL CHARACTERISTICS

Model	Inlet	Outlet	Overflow	Diameter	Invert in	Invert out	Max Area
Basket-150	4" or 6"	4" or 6"	4" or 6"	22"	12" - 30"	23" - 41"	5000 ft <sup>2</sup>
Basket-200	6" or 8"	6"	6" or 8"	34"	20" - 36"	32" - 48"	15000 ft <sup>2</sup>



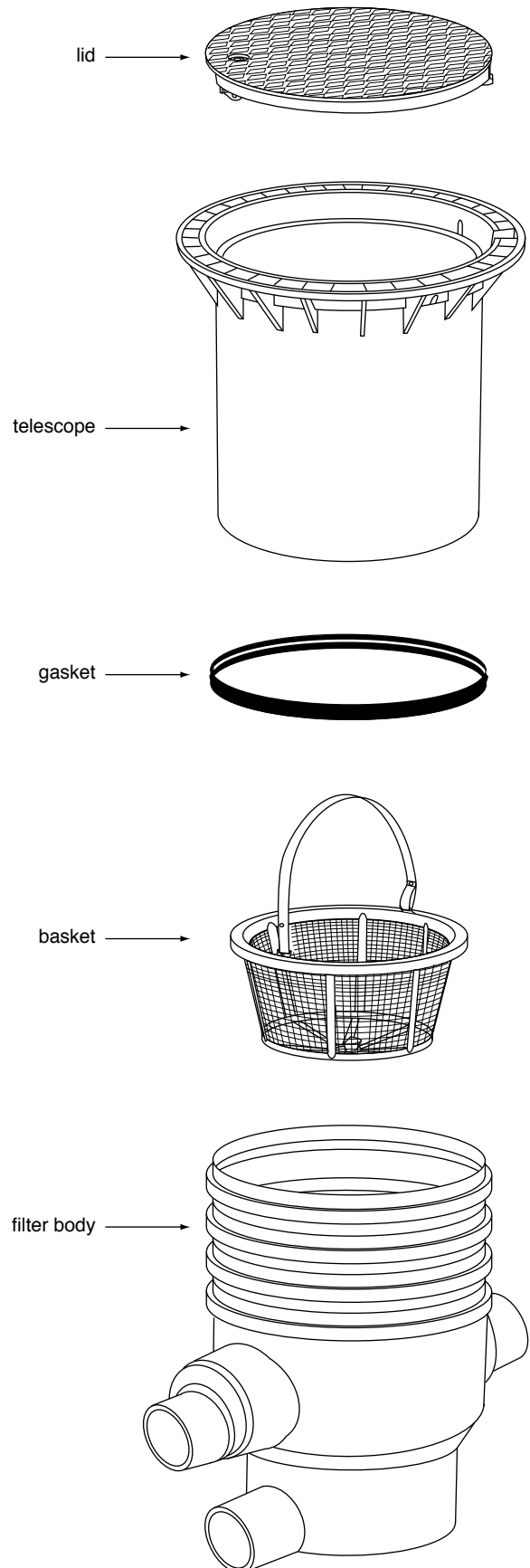
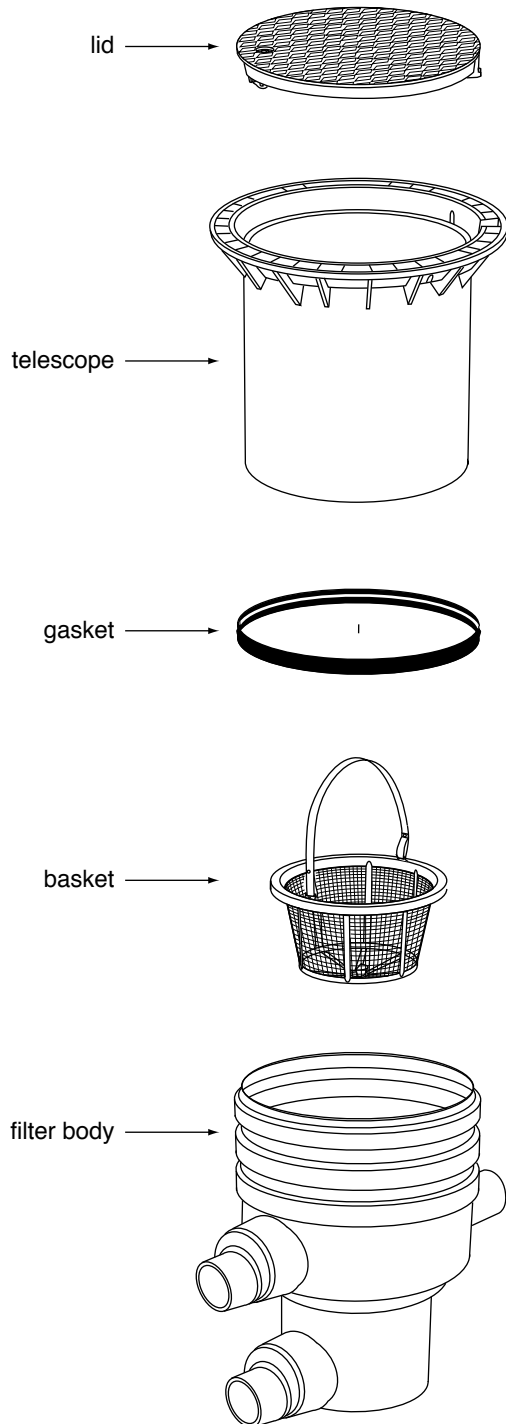
Basket-150



Basket-200

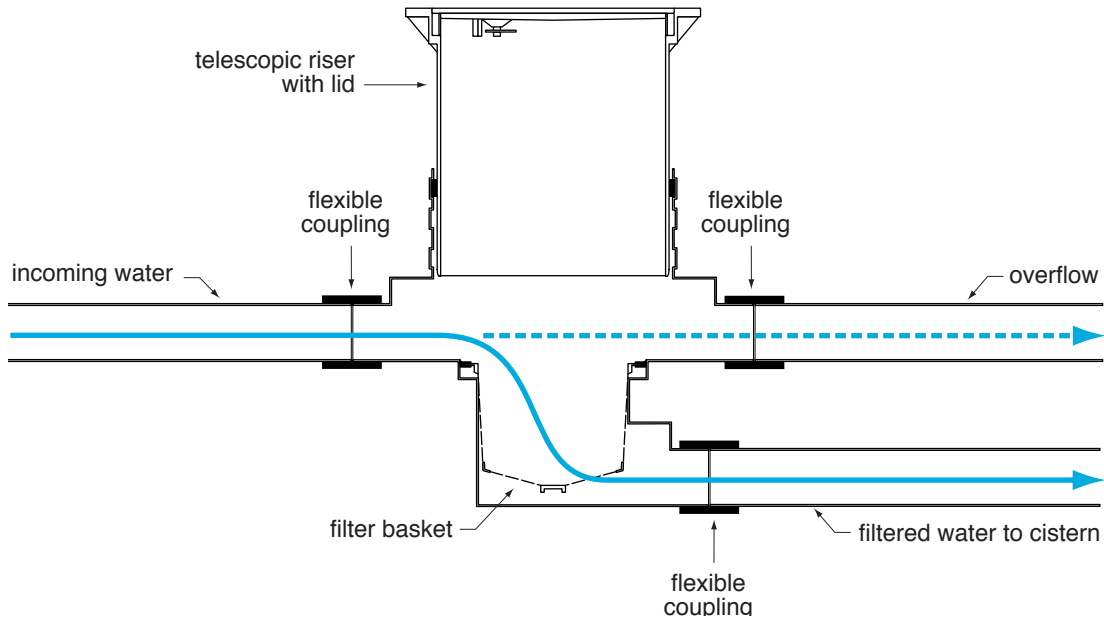
## COMPONENTS

Construction of the Basket-150 and Basket-200 is the same except for the size of the parts and the construction of the basket (plastic on the small filter; stainless-steel on the large filter). Optional cast-iron lids are available for either size.



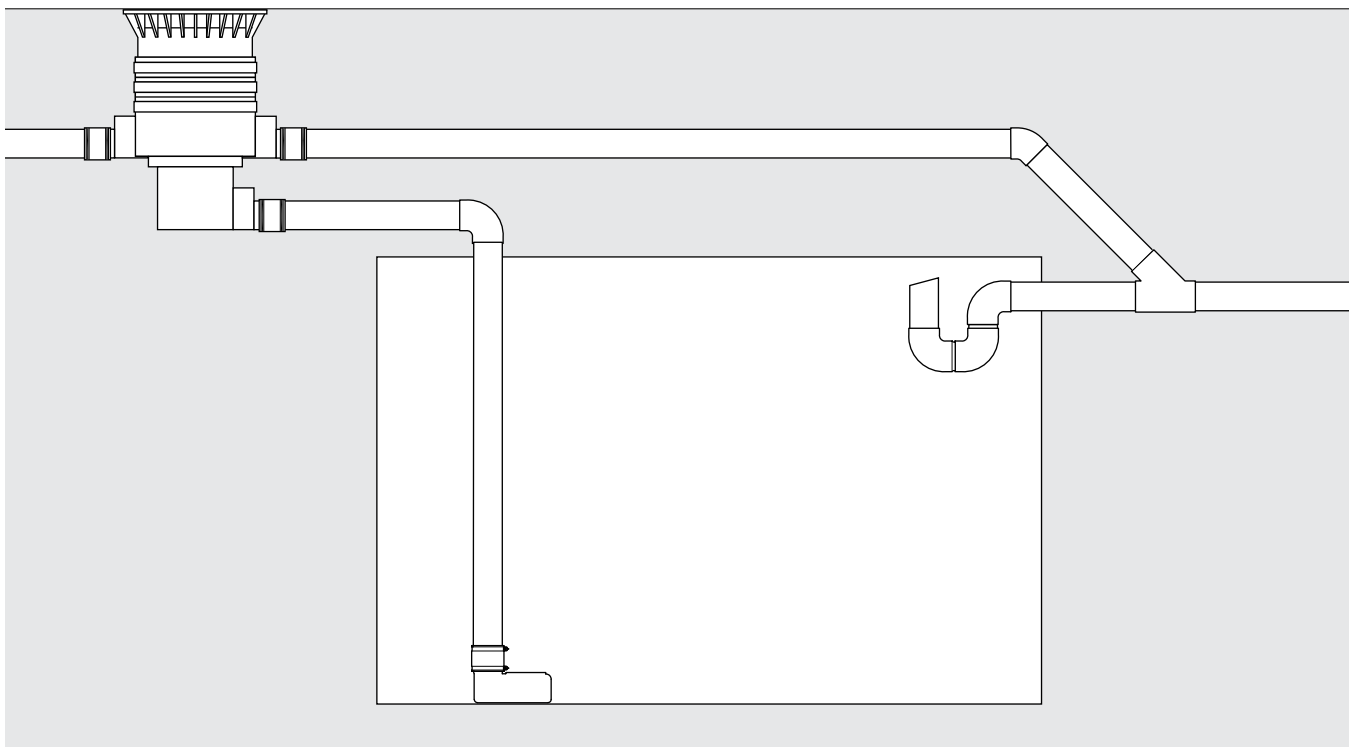
## OPERATION

Water from the roof enters through one of the top ports, flows through the basket, and exits at the bottom port. If the basket is clogged or the cistern cannot handle the hydraulic flow, unfiltered water overflows through the second top port. The filter has no direction, so either top port can be the inlet or overflow.

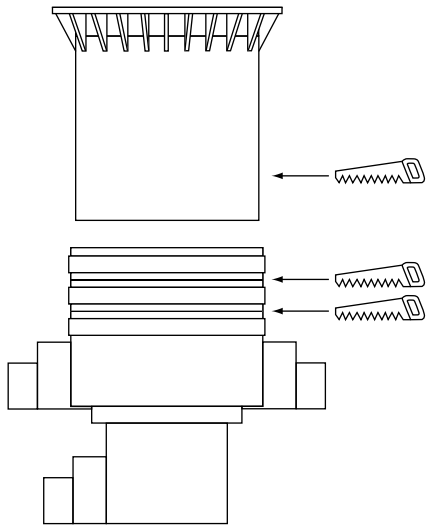


## INSTALLATION

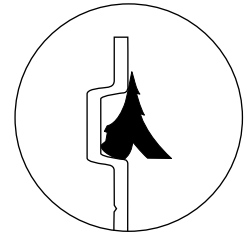
In the example below, filtered water flows from a Basket Filter into an underground storage tank. The overflow pipe from the filter merges with the overflow pipe from the tank.



## ASSEMBLY



For shallow burial, cut the filter body at one of the small grooves between the ribs. For very shallow burial, also cut the telescopic extension.



Insert the gasket into the top interior channel as shown.

Lubricate the gasket with the water-base grease provided or with a soap and water solution: do not use petroleum based lubricants!



Press the telescope firmly into place to obtain the correct depth.

