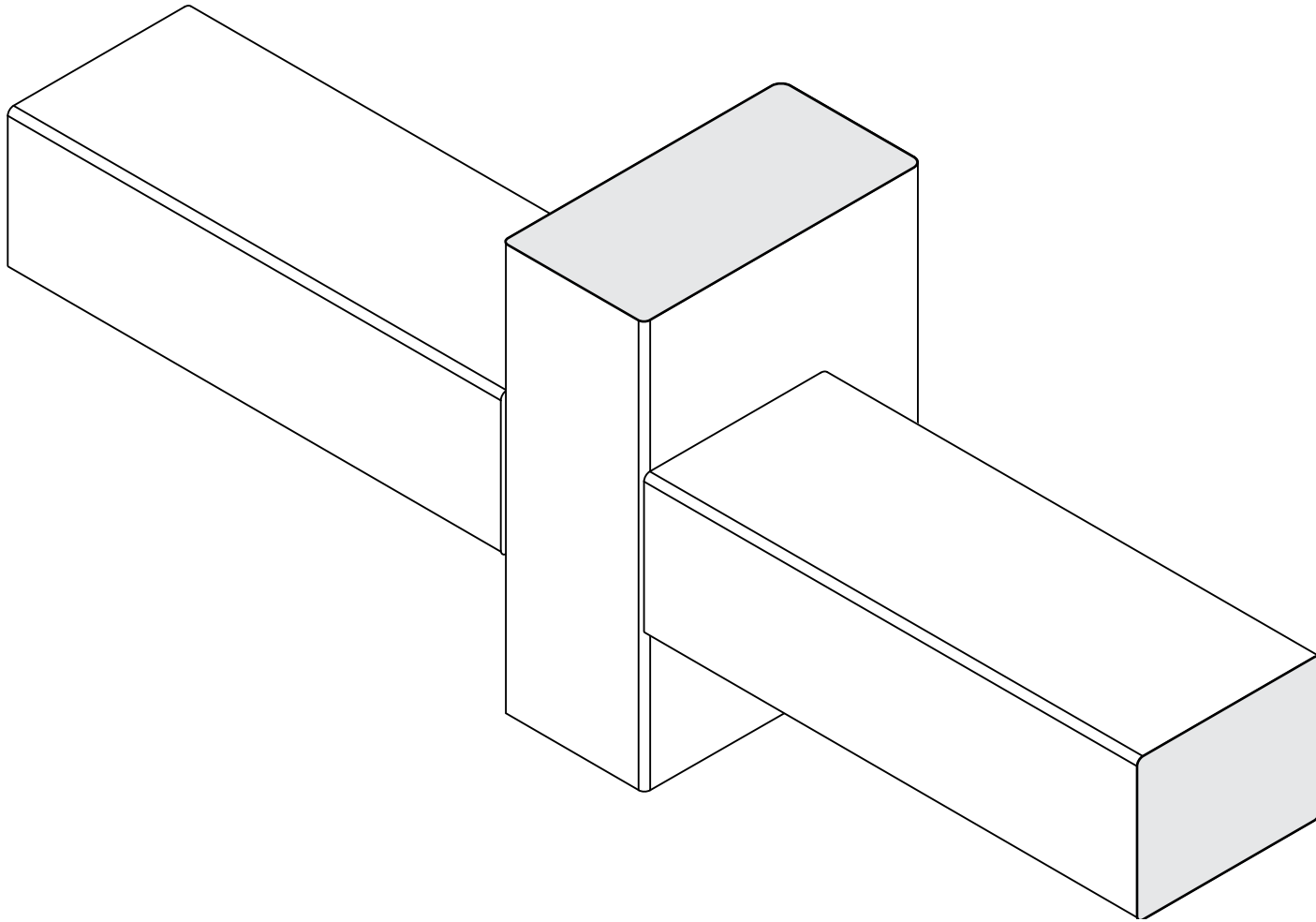
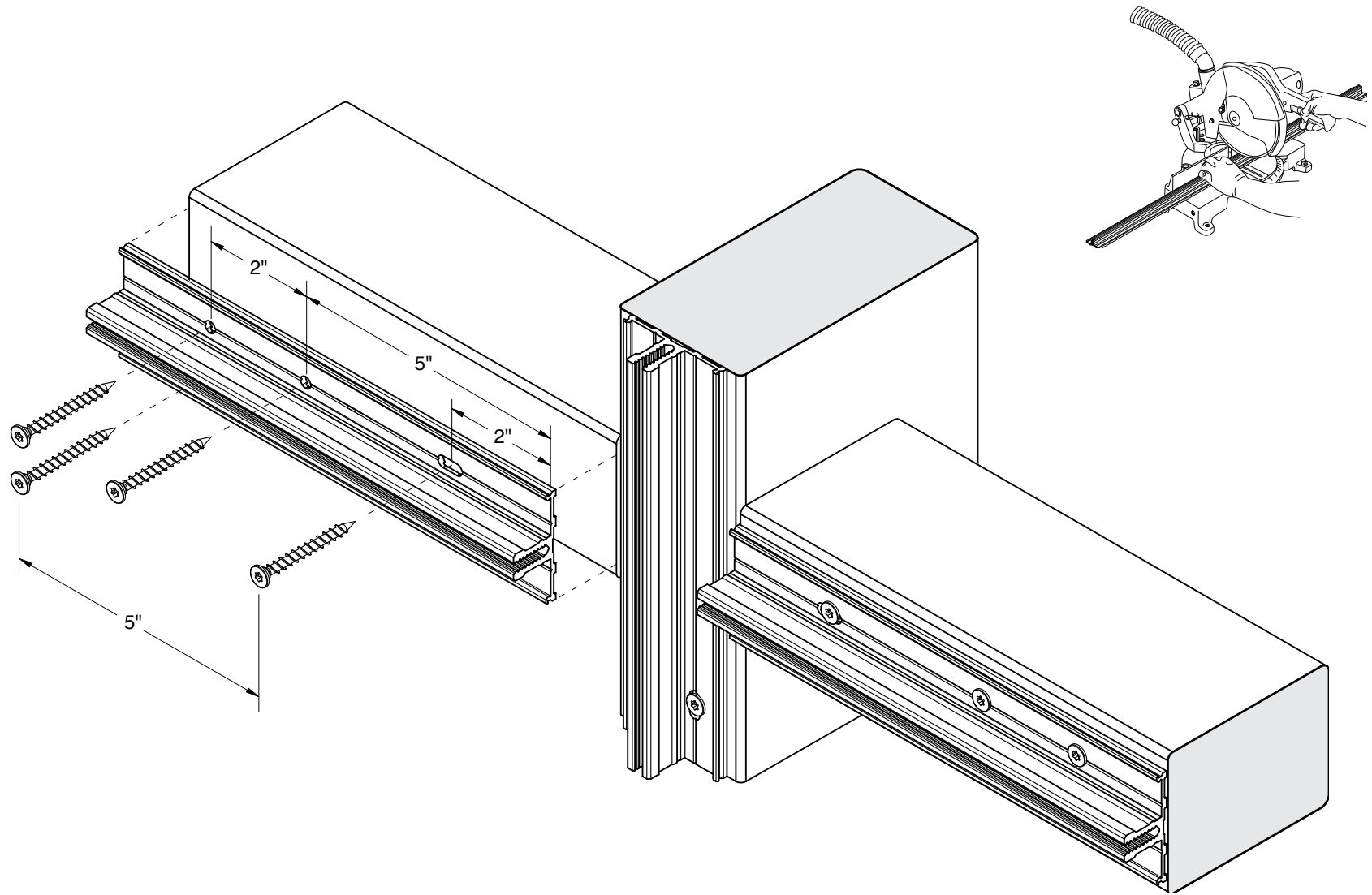


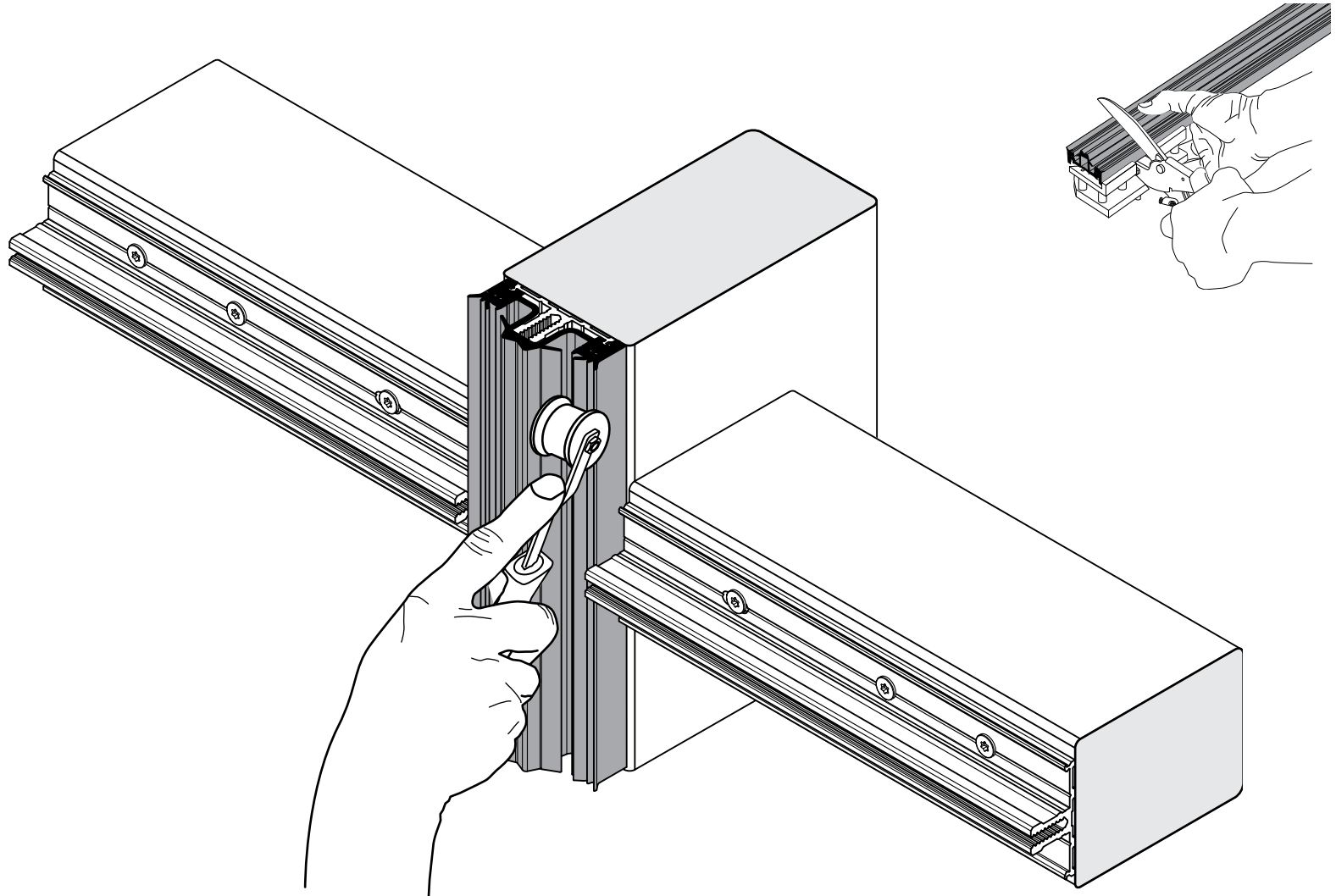
TIMBER GLAZING SYSTEM INSTALLATION PROCEDURE



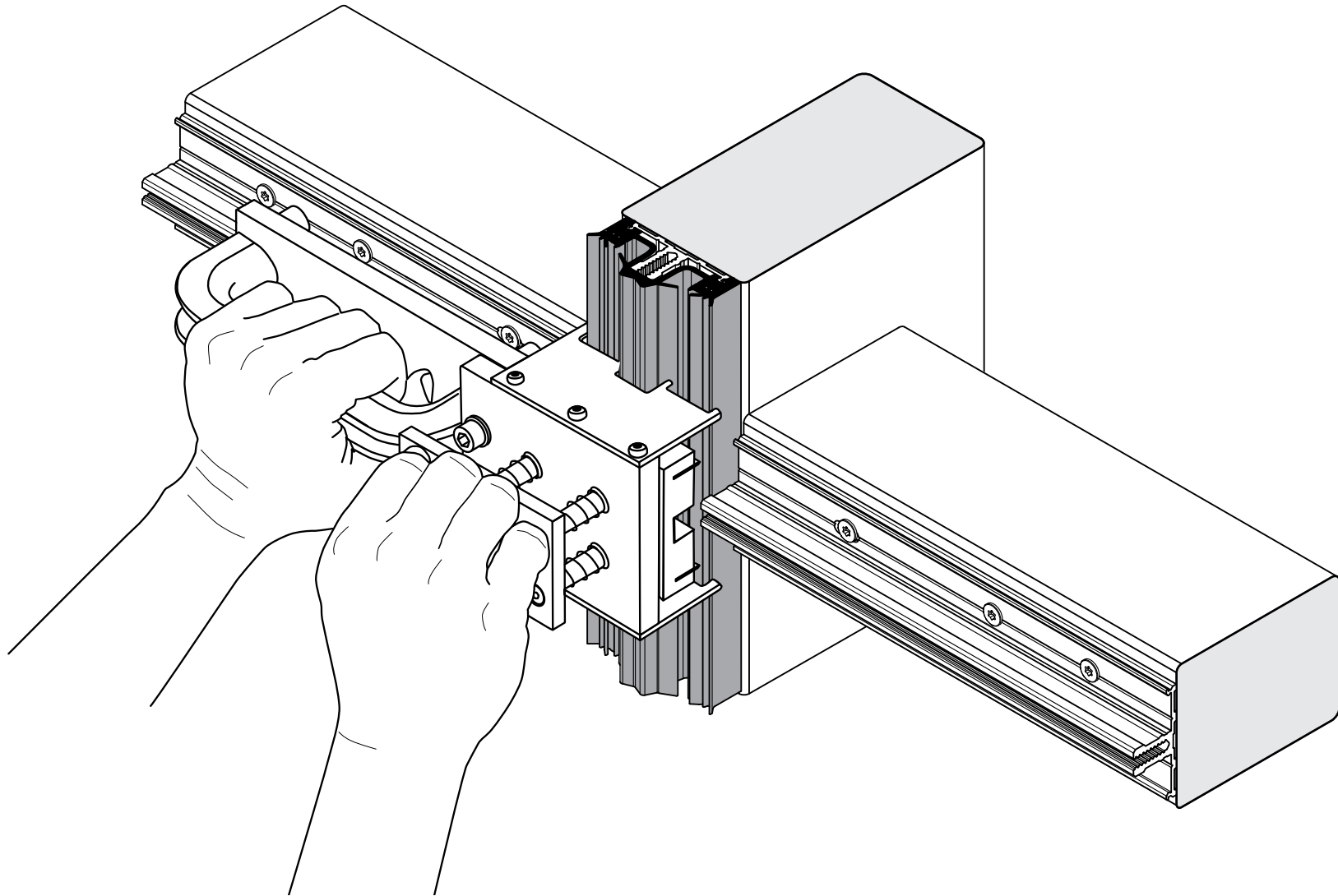
PREPARE WOOD FRAME



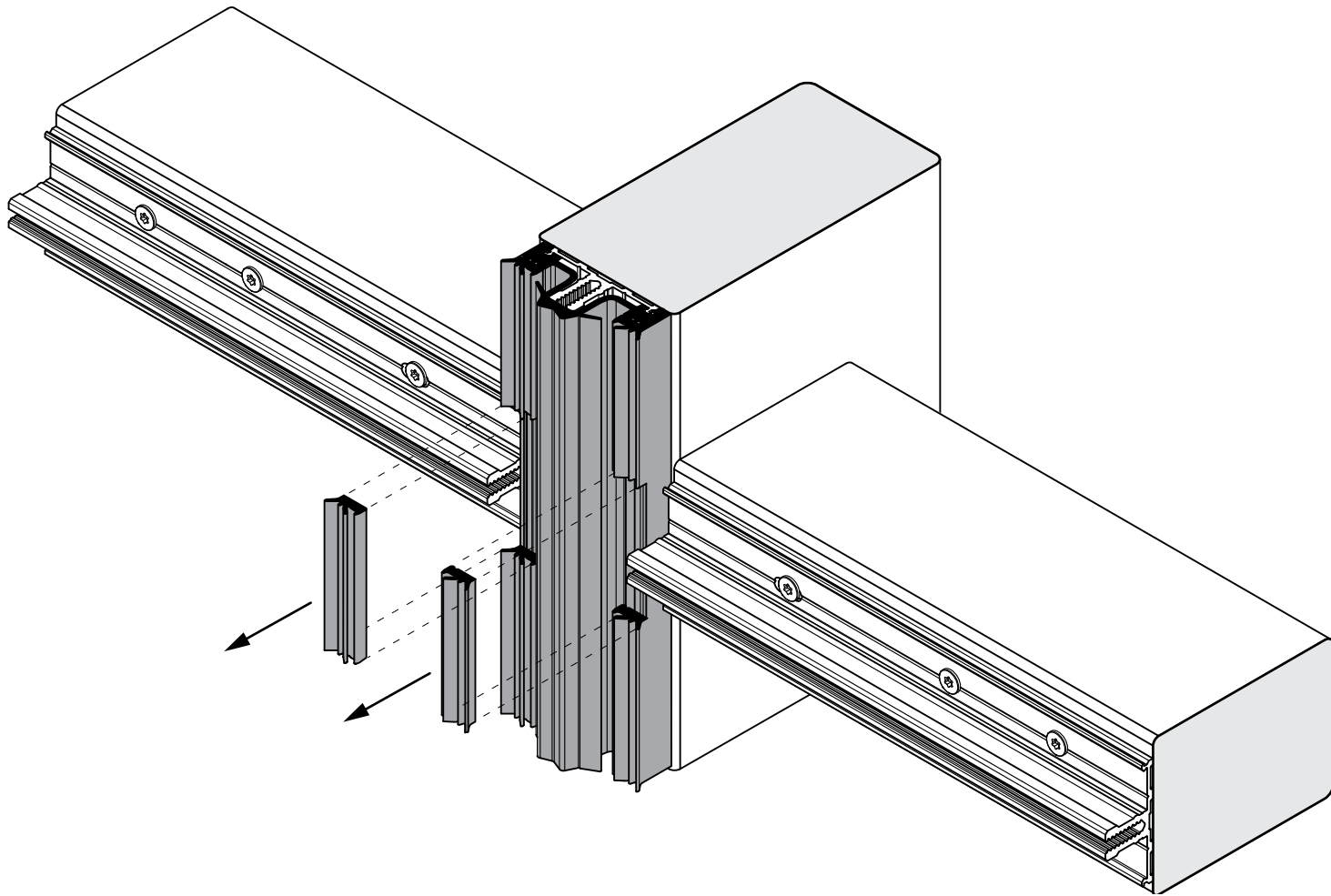
CUT AND ATTACH BASE CHANNELS



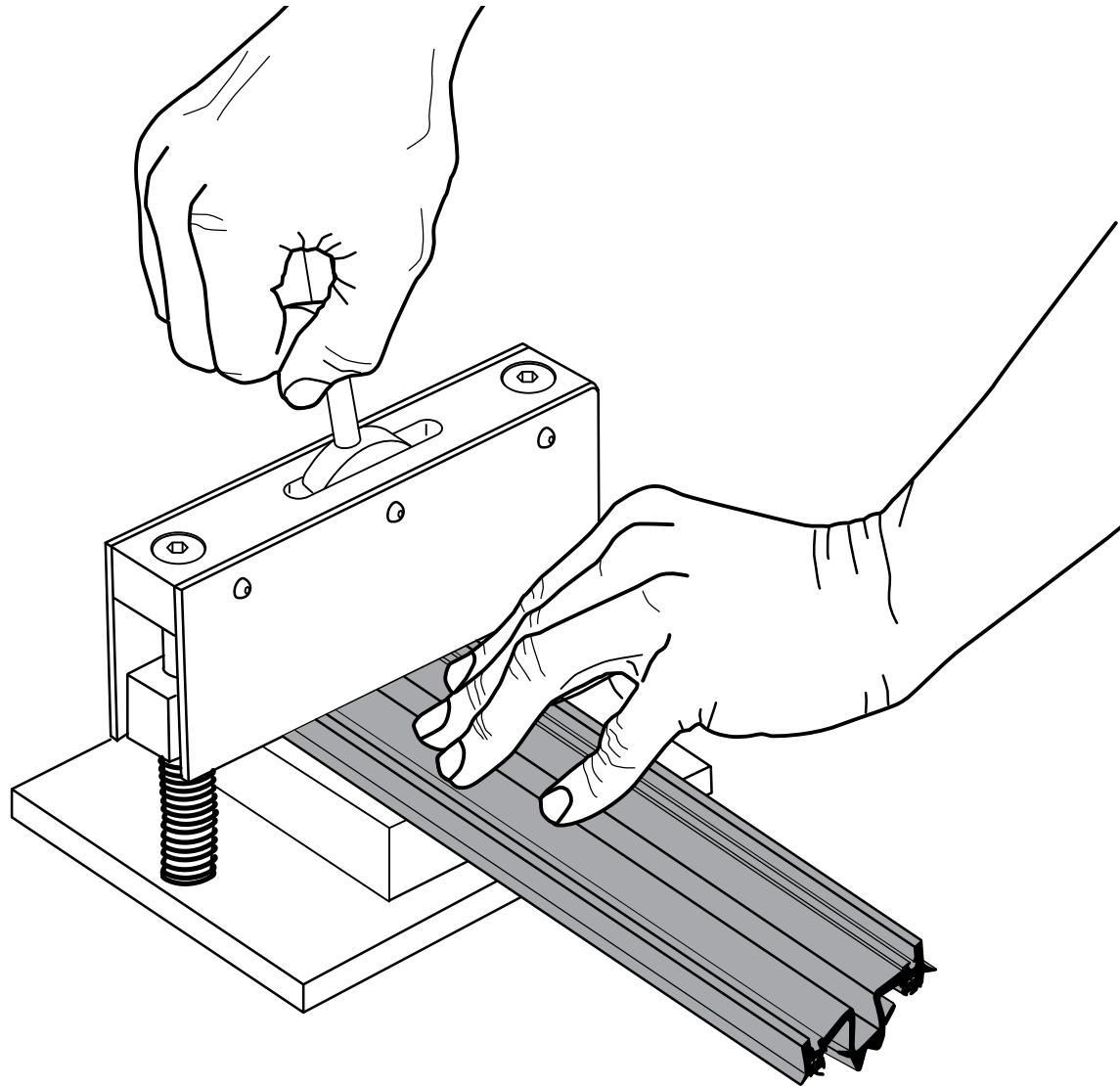
CUT AND ATTACH MULLION BASE GASKETS



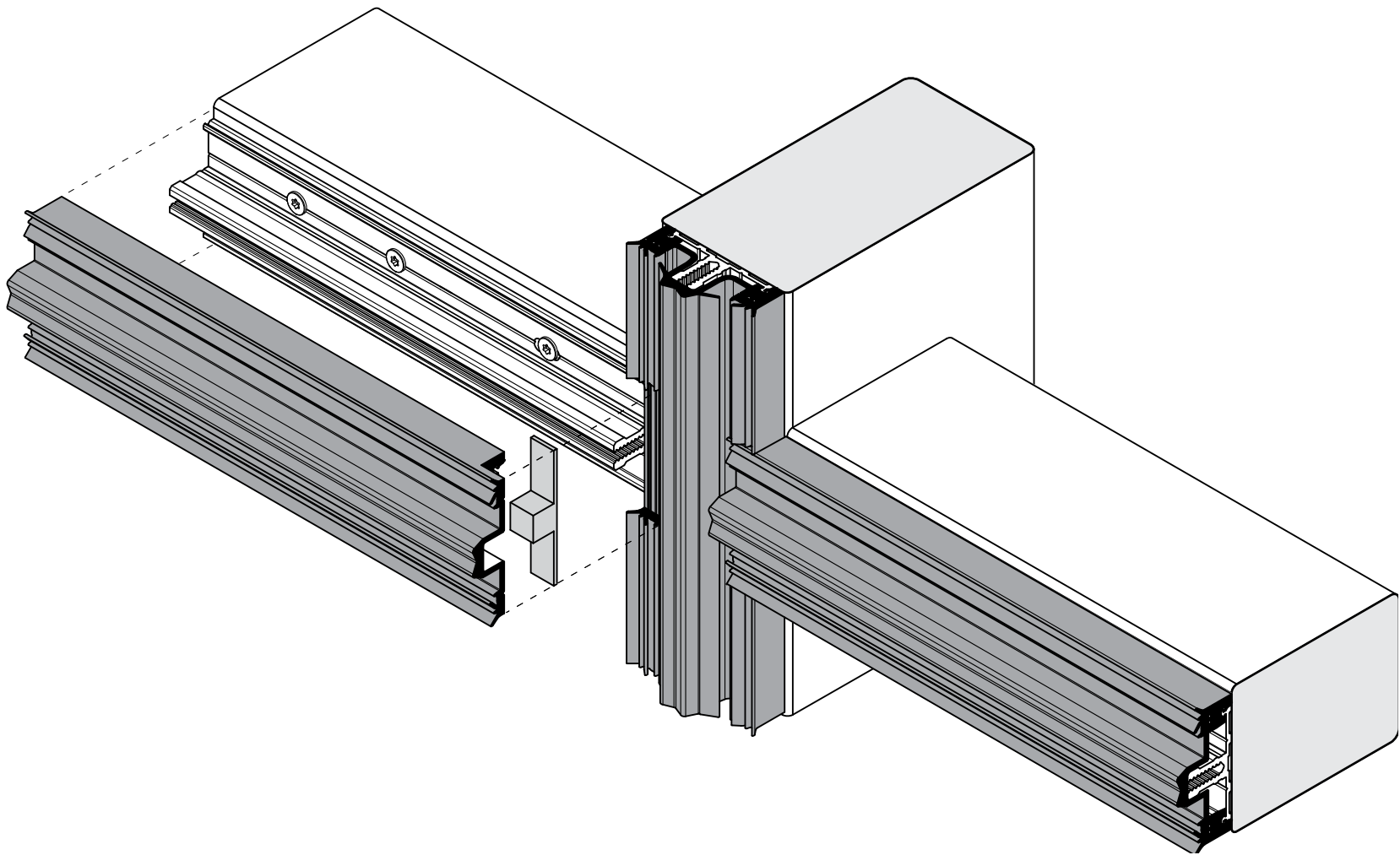
NOTCH MULLION BASE GASKETS



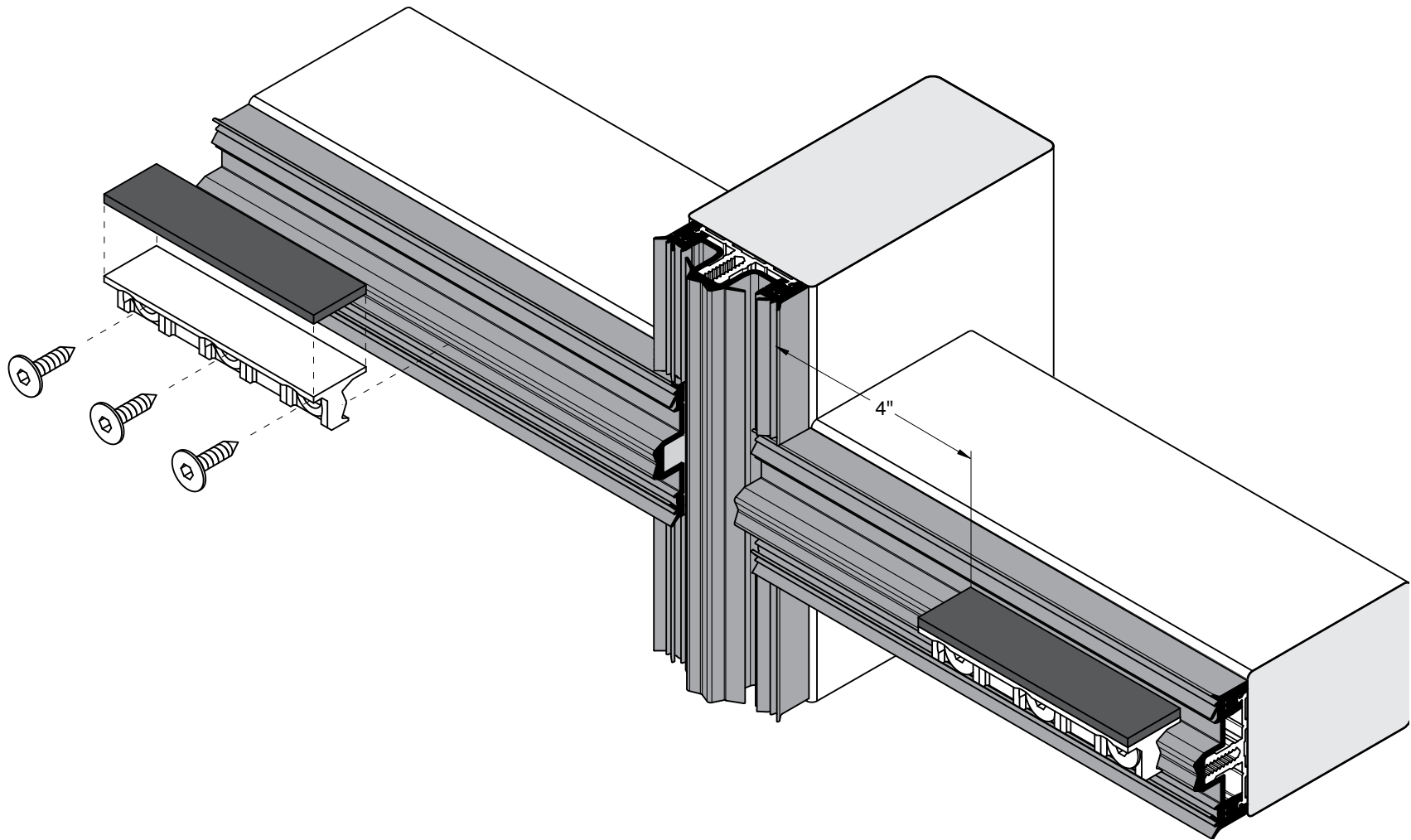
REMOVE NOTCHED SECTIONS OF MULLION BASE GASKETS



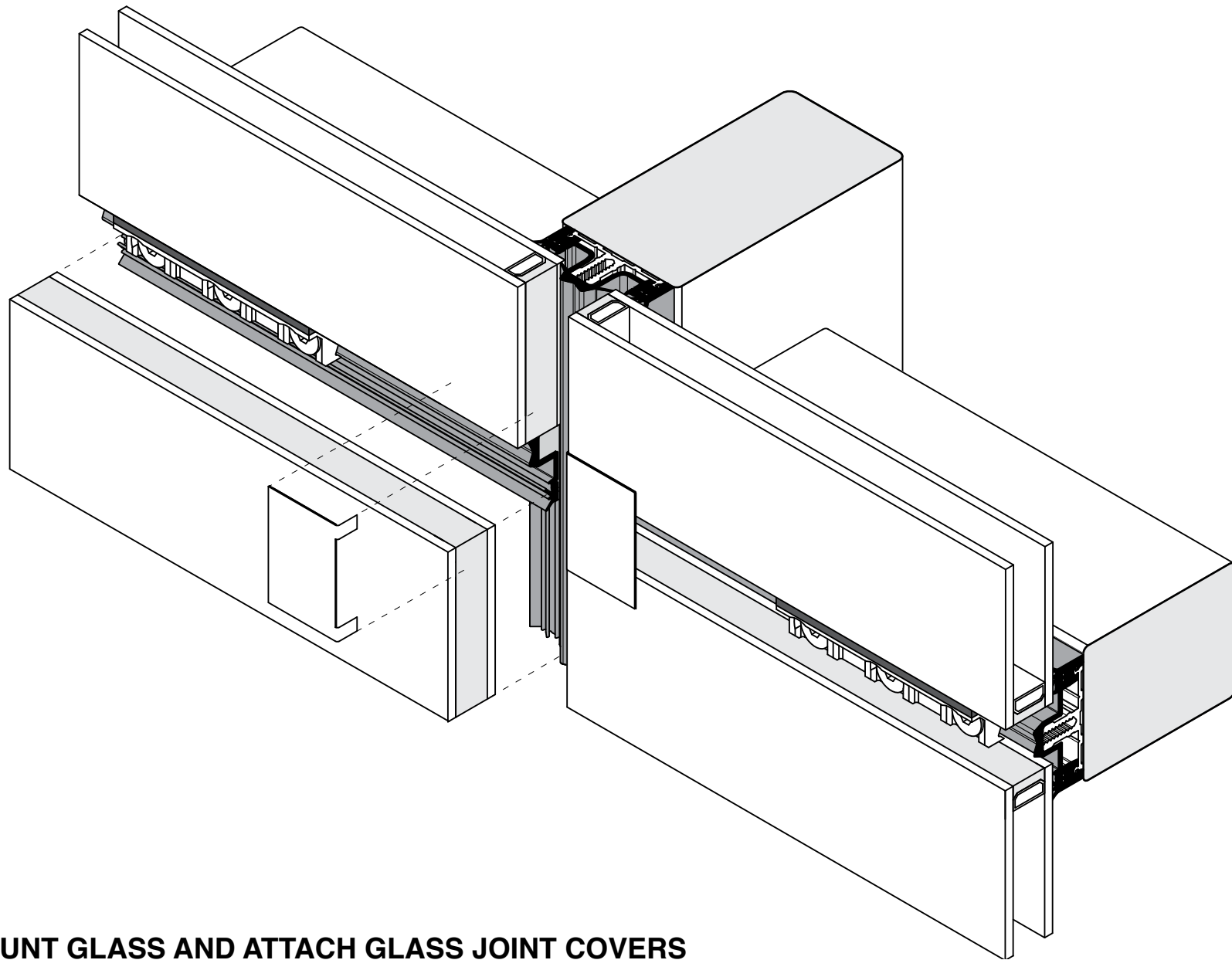
NOTCH TRANSOM BASE GASKETS



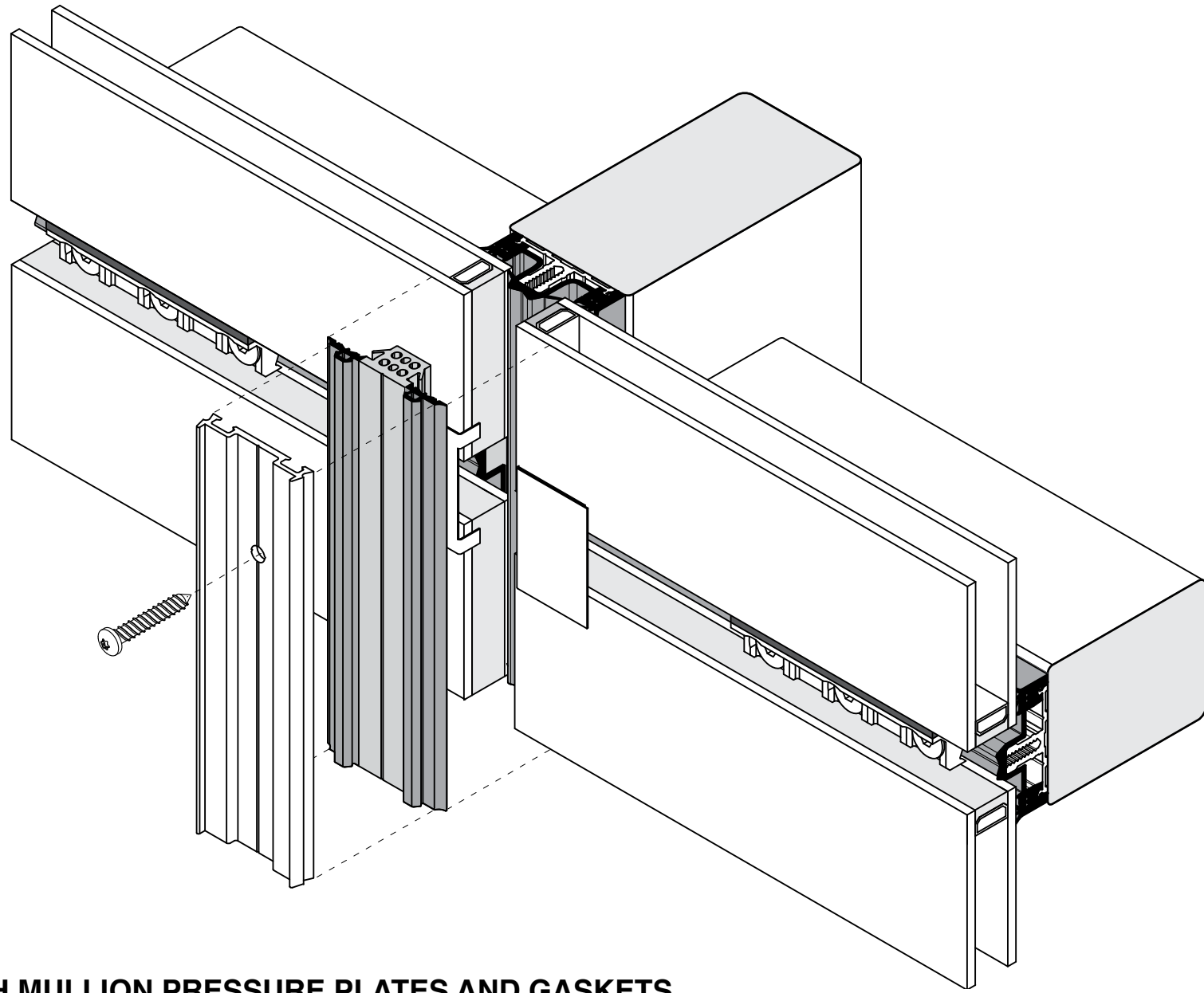
ATTACH TRANSOM BASE GASKETS



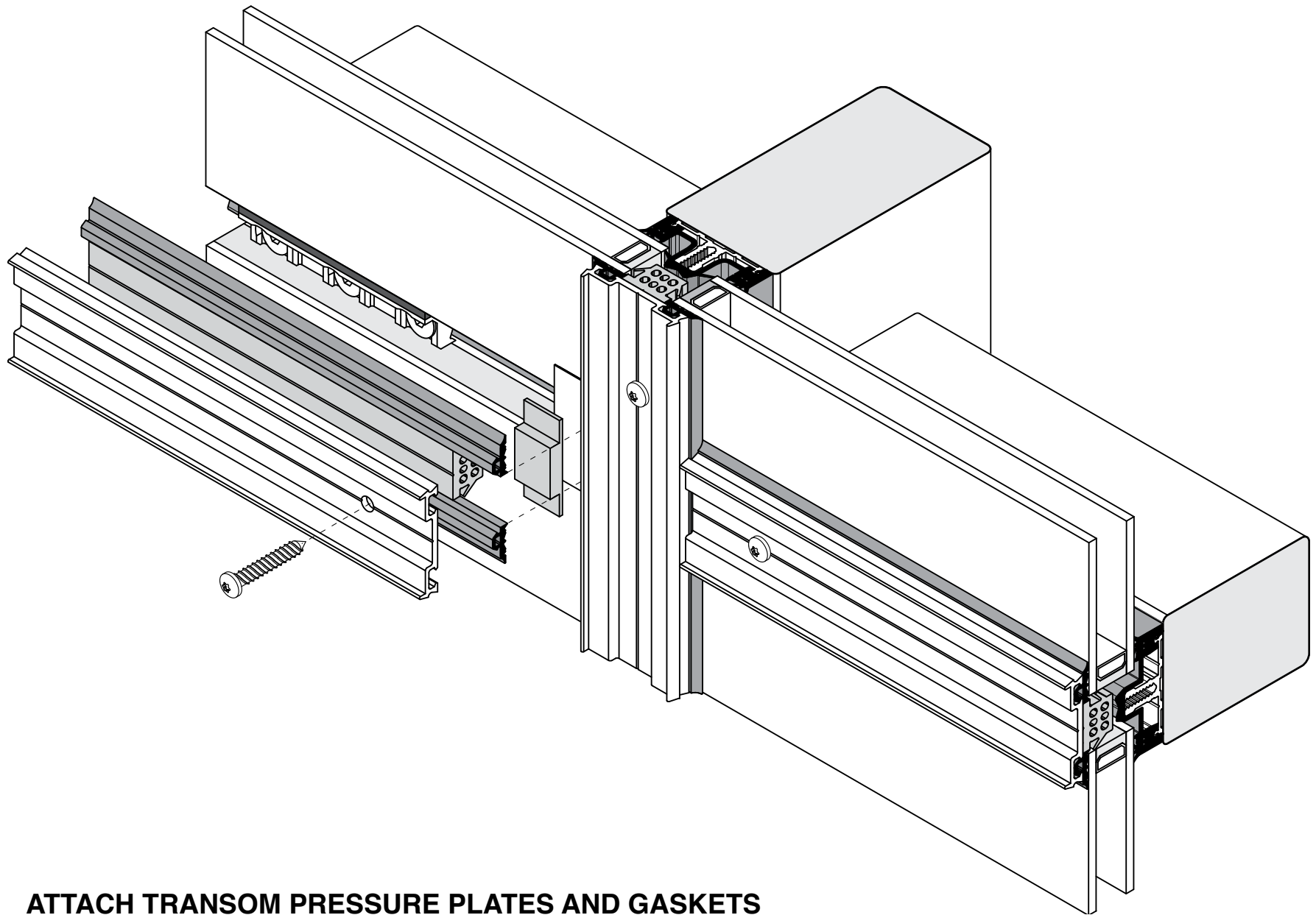
ATTACH GLASS SUPPORTS AND SETTING BLOCKS



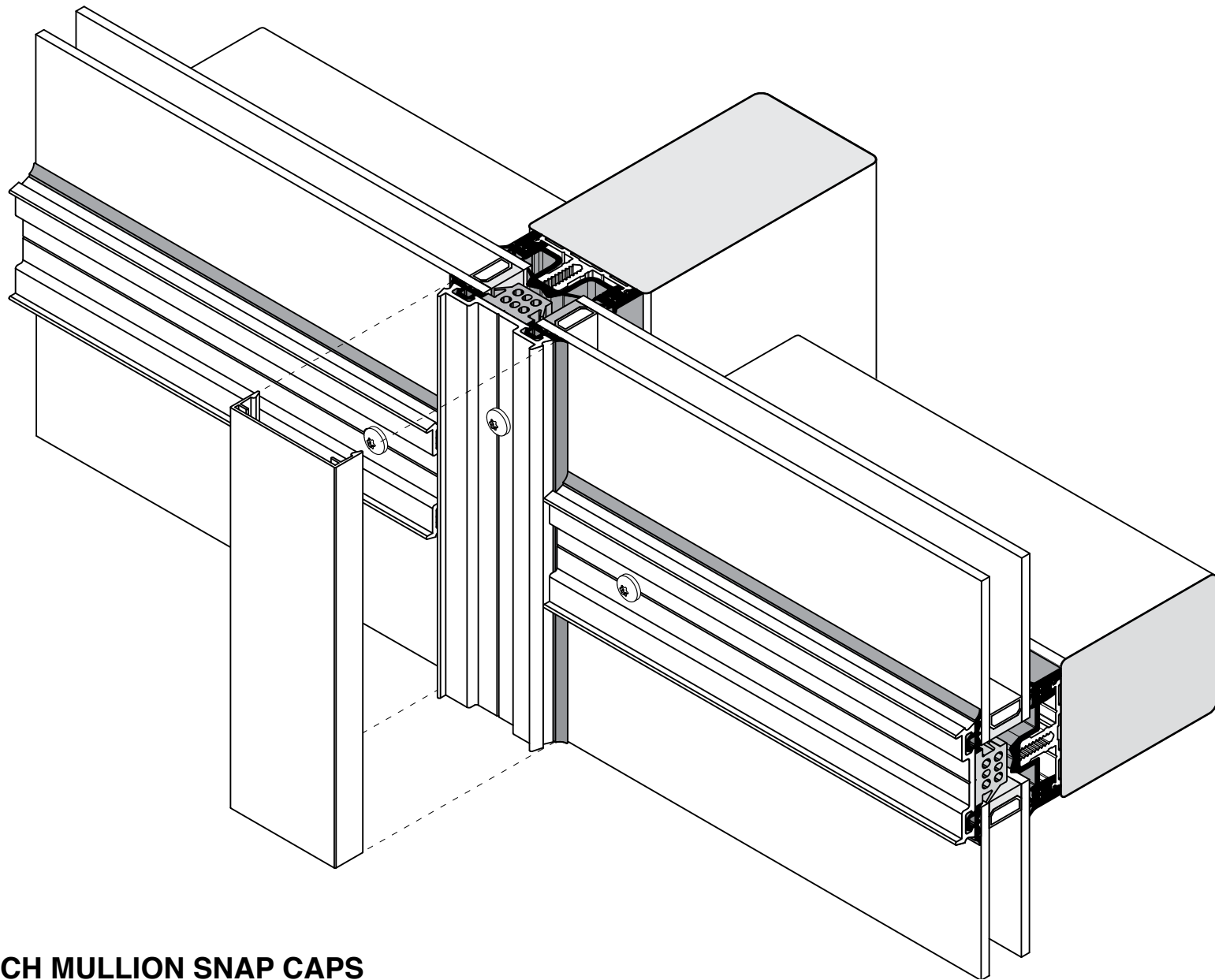
MOUNT GLASS AND ATTACH GLASS JOINT COVERS



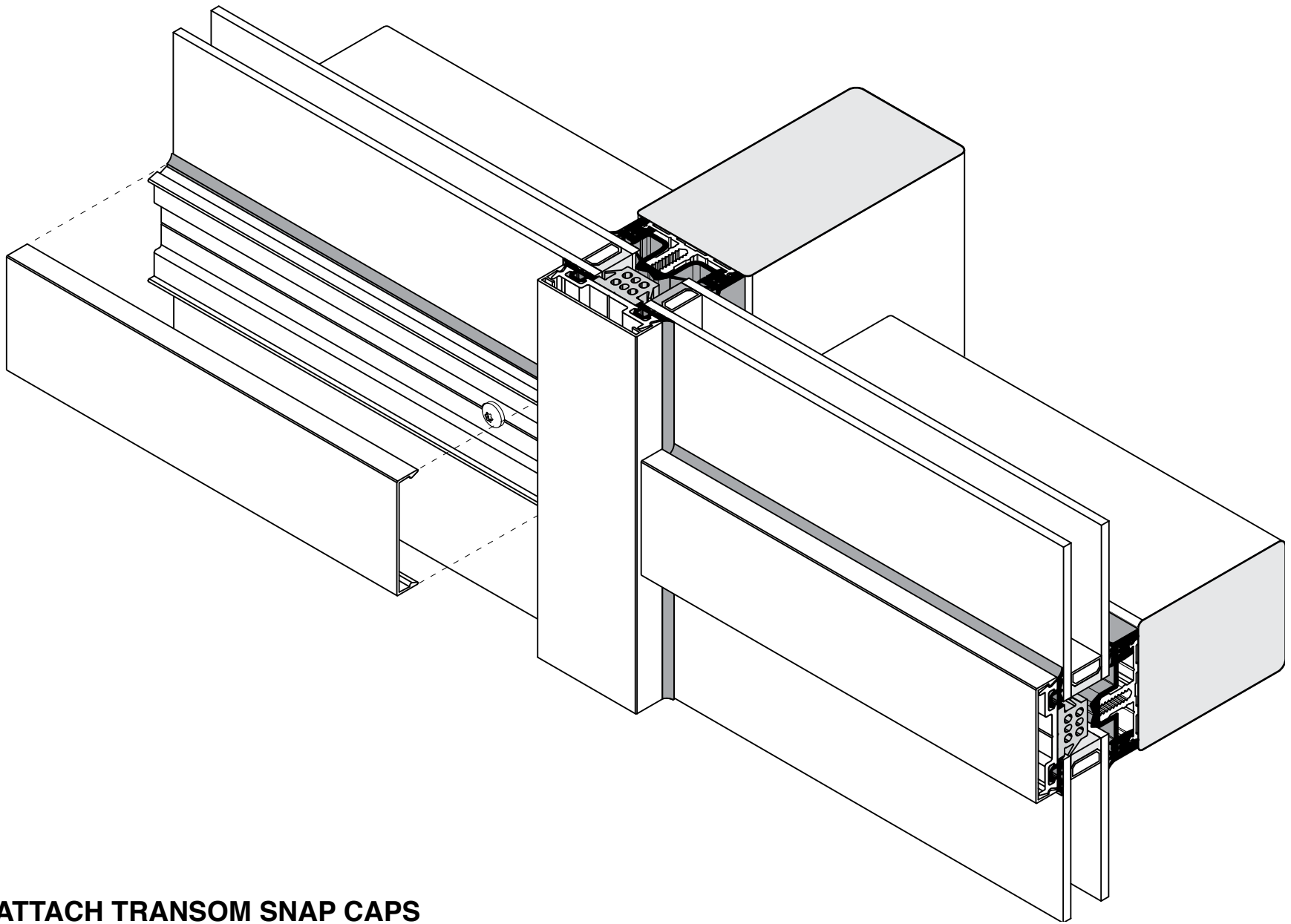
ATTACH MULLION PRESSURE PLATES AND GASKETS



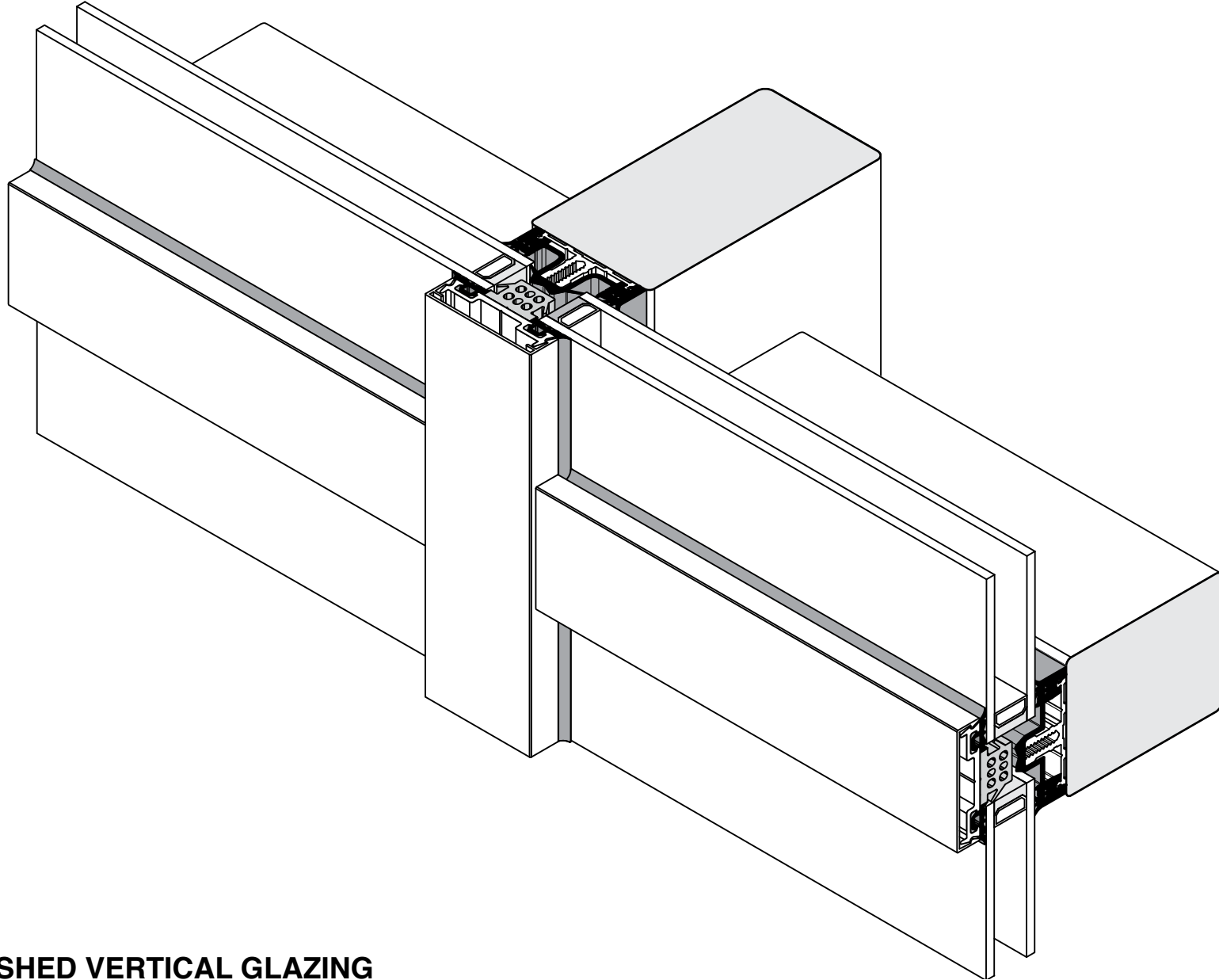
ATTACH TRANSOM PRESSURE PLATES AND GASKETS



ATTACH MULLION SNAP CAPS



ATTACH TRANSOM SNAP CAPS



FINISHED VERTICAL GLAZING